

VIBROMAX | VMT260



A Product of Hard Work





Setting new standards

The new VMT260 tandem rollers are quite simply the most productive machines available in this high volume sector. In fact, it is safe to say that with this range, JCB has established a new benchmark together in choice, comfort, control, reliability, serviceability and performance. Sharing the same design as the VMT160, the VMT260 range consists of two models: the VMT260-100 and VMT260-120 have drum widths of 1000mm and 1200mm respectively.

WORK FLAT OUT FOR OVER TWICE AS LONG



All of these models benefit from the inclusion of a class-leading 95-litre diesel tank combined with a 230-litre water tank. This allows the VMT260 to work at maximum capacity for much longer than its nearest rivals, giving you over a whole working day of extra usage.

We have also introduced new, ergonomic seating and user-friendly controls that are conveniently positioned on a low vibration stand. So whatever you're doing (from rolling

sub-base and finish rolling asphalt materials, to patch and repair works) and wherever you're doing it (access roads, yards, residential streets, car parks, highways, airports) these rollers are simplicity itself to operate.

Add all of this to JCB's legendary build quality and the best back up in the business, and you have a range of tandem rollers that just can't be beaten.

Power and performance

Largest diesel and water tanks mean you can work flat out for over twice as long

Three-cylinder, water-cooled, four-stroke diesel engine delivers maximum power

Electrically controlled hydrostatic direct drive on both drums enhances versatility

Automatic Vibration Control (AVC) as standard

Superb stability increases operating safety



The JCB Vibromax VMT range is renowned for its excellent combination of static weight, centrifugal force, amplitude, tight turning circle and fast rolling speed. The new VMT260s boast these same key qualities as well as adding greater power, performance and attention to detail into the mix.

Perhaps the most impressive development to have been incorporated into these machines is the high capacity fuel and water tanks, which enable them to outperform all the competition when it comes to productivity. The 95-litre diesel engine tank is nearly double the market average of 40-50 litres, while the 230-litre water tank is significantly greater than the 180-200 litre market average.

What this all means is that, based on an average consumption of 5 litres of diesel per hour, the VMT260 gives you 10 hours' extra usage than the competition. Basically these machines can work flat out for over twice as long.

Both machines feature a new three-cylinder, water-cooled, four-stroke diesel engine that delivers maximum power at reduced noise levels. Electrically controlled hydrostatic direct drive on both drums enables you to maximise performance on any application by selecting double vibration, single front vibration or single rear vibration. VMT260s feature double, single-front rear vibration and Automatic Vibration Control (AVC) as standard, while exceptional stability provides optimum operating safety. Plus, manual drum offset of +/- 80mm is standard.

Such incredible power and performance, plus the added versatility that comes from being easily transportable equals a compaction solution that is fast becoming indispensable.





Comfortable, controllable, reliable

New design for improved operator comfort combined
with extreme robustness

Fully adjustable, spacious seating is accessible from both sides

Excellent manoeuvrability characteristics and fast rolling speeds

Newly designed control layout makes for intuitive operation

Ergonomic driving lever and engine speed control
improve controllability

Extreme low vibration levels on driver stand



In a sector renowned for the somewhat 'basic' design of its equipment, the new modern styling of the VMT260 will come as a very welcome change. These machines are designed with operator comfort and safety firmly in mind.

The fully adjustable, comfortable and spacious seating position, featuring armrests, cup holder and safety switch, is easily accessible from both sides of the machine. It also offers a clear view for increased accuracy and safety while work is in progress.

Safety on site is enhanced by a reverse alarm, emergency stop button and front and rear working lights as standard, with optional foldable or fixed ROPS frame, lights for road traffic and a flashing beacon.

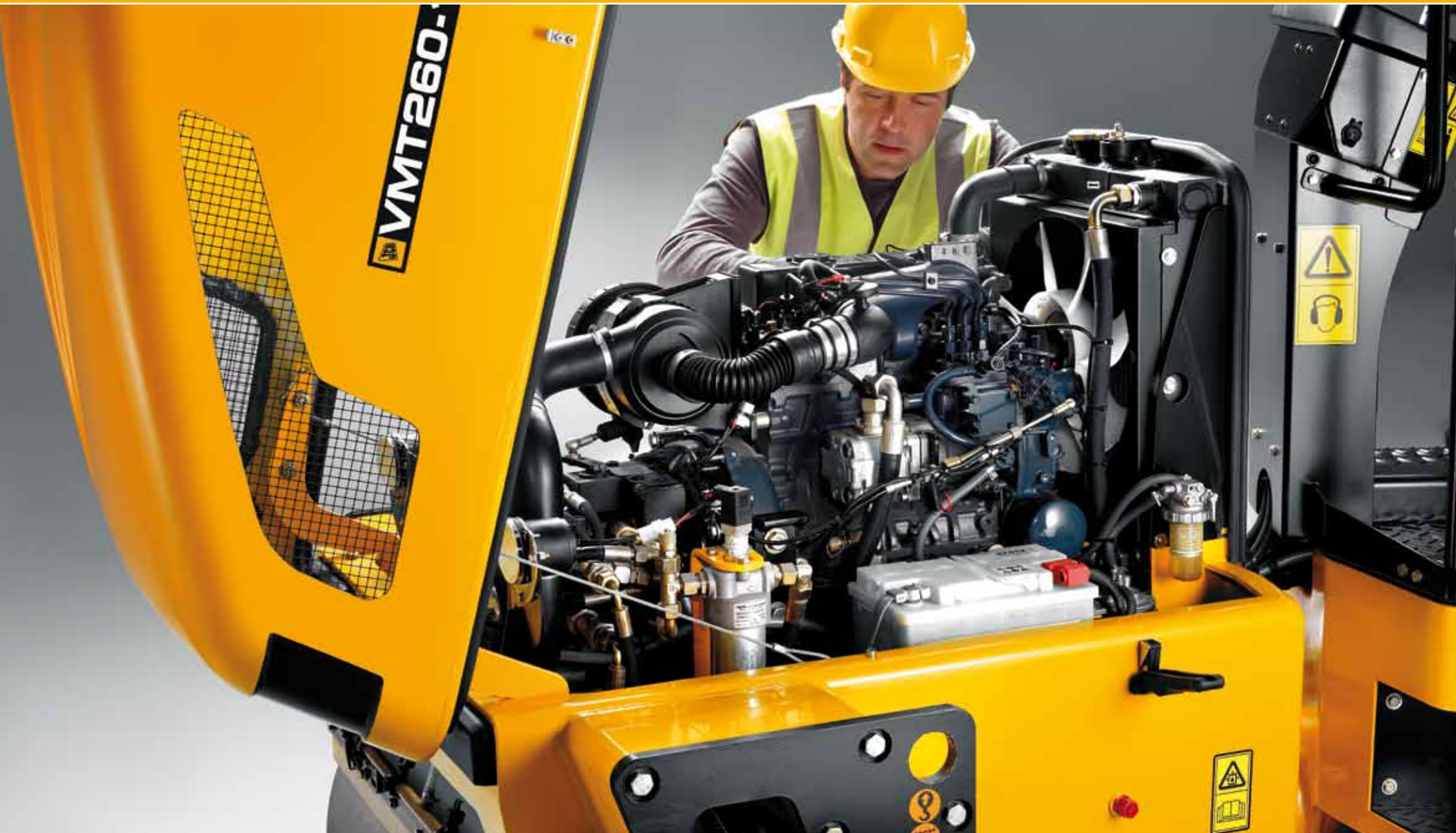
The new VMT260 also features a newly designed control layout, with simple and clearly labelled controls and an informative indicator dashboard, making operation much more user friendly. Meanwhile, precision control is achieved through the ergonomic driving lever and engine speed control.

Furthermore the VMT260 possesses excellent manoeuvrability characteristics combined with fast rolling speeds making it a highly flexible machine to cater for all on-site requirements.

As you would expect from a world-class manufacturer with a reputation for excellence, the build quality of the VMT260 models is of the highest standard, ensuring you maximum durability and reliability. And as for servicing, we've made life easier by reducing maintenance requirements and ensuring all routine checks are easily accessible.

Power and performance just don't come in a more comfortable, controllable or reliable package.





Driver's Platform

Very spacious, comfortable and adjustable driver's seat with arm rests

Access from both sides of machine

Optimal visibility

Cup holder

Unique driver stand isolation protects against vibration through optimised rubber mounting system

Chassis

Robust and strong, articulated

Heavy-duty maintenance free centre joint

+/- 80mm drum offset

Equal weight distribution (front and rear)

Vibration

AVC – Automatic Vibration Control

Double, or single-front, or single-rear vibration

Components

High quality, reliable components

Proven over many years

Powerful, water-cooled and low-noise diesel engine

Service Access

100% access to all components under lightweight hood, electrics in steering column

Water Sprinkler System

2 solid brass spray bars on each drum

Changeable nozzles with excellent service access

Pressurised water system

Very large water tank of 230 litres

Brakes

Spring-applied, hydraulically released parking brakes on each drum

Scrapers

2 per drum

Spring loaded for optimised use and prolonged life

Drums

Strong and reliable vibration and drive motors

Oil splash lubricated exciter shaft bearings

Hydrostatic propulsion and vibration on both drums

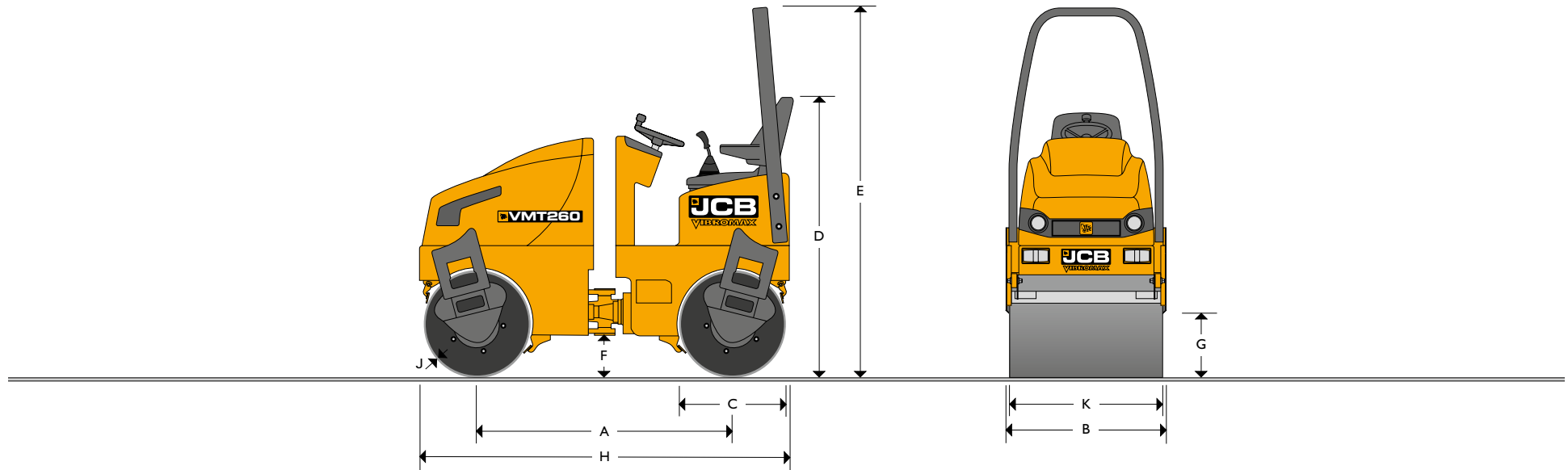
Machined drum surfaces for concentricity

Single piece circular exciter for long life





DRUM WIDTH: 1000mm – 1200mm (39.4in – 47.2in) OPERATING WEIGHT: 2440kg – 3050kg (5379lb – 6724lb)



STATIC DIMENSIONS

Dimensions in millimetres (in)	VMT260-100	VMT260-120
A Wheelbase	1700 (66.9)	1700 (66.9)
B Overall width	1080 (42.5)	1280 (50.4)
C Drum diameter	700 (27.5)	700 (27.5)
D Height to top of seat	1760 (69.3)	1760 (69.3)
E Height to top of ROPS	2480 (97.6)	2480 (97.6)
F Ground clearance	270 (10.6)	270 (10.6)
G Curb clearance	550 (21.6)	550 (21.6)
H Total travel length	2490 (98)	2490 (98)
J Drum thickness	12 (0.47)	12 (0.47)
K Drum width	1000 (39.3)	1200 (47.2)

OPERATING DATA

Operating data	VMT260-100	VMT260-120
Nominal weight	kg (lb) 2440 (5379)	2700 (5952)
Operating weight (CECE)	kg (lb) 2670 (5886)	2940 (6481)
Maximum operating weight	kg (lb) 2790 (6151)	3050 (6724)
Working width	mm 1000	1200
Operating linear load	kg/cm (lb/in) 13.4 (74.8)	12.3 (68.6)
Exciter frequency	Hz 50 ... 66	50 ... 66
Nominal amplitude	mm 0.5	0.5
Centrifugal force (each drum)	kN 26 ... 45	26 ... 45
Max. Working speed	km/h 0 ... 11	0 ... 11
Drum offset left / right (Option)	mm 80	80
Steering lock angle	° ±35	±35
Oscillation angle	° ±8	±8
Inner turning radius	mm 2200	2100
Gradeability with vibration up to	° (%) 17 (30)	17 (30)
Gradeability without vibration up to	° (%) 22 (40)	22 (40)



ENGINE

Make	KUBOTA	
Model	D1703M-E3B (EPA Tier IV / EU 3a)	
Type	3 cylinder, water-cooled, four-stroke diesel engine	
Piston displacement	cm ³	1499
Performance	kW (hp)	24.4 (32.7)
Operating speed	min ⁻¹ (rpm)	2800
Starting device	Electric motor	
Air cleaner	Dry cartridge plus safety cartridge	
Fuel filter	Cartridge	
Fuel consumption	l/h	5.0

PROPULSION

Hydrostatic with variable displacement pump and fixed displacement motors with direct drive to both drums = double drum drive.

EXCITER DRIVE

Electrically controlled hydrostatic direct drive on both drums for double vibration or single vibration front or rear.

EXCITER

Single-shaft circular exciter for superior durability.

STEERING SYSTEM

Servo assisted center articulation with oscillation facility.

SERVICE CAPACITIES

Fuel	litres	95
Sprinkler water	litres	230

BRAKING SYSTEM

Service brake: Hydrostatic propulsion system.
Parking brake: Hydraulically released brake on both drums (SAHR).

ELECTRICAL SYSTEM

Working lights, backup alarm, safety switch in operators seat

Voltage	V	12
Battery capacity	Ah	66
Alternator	A	40

DRIVERS STAND/INSTRUMENTS

Fuel, battery charging current, sprinkler system, parking brake, hour meter, engine oil pressure, air filter condition, hydraulic oil level and temperature, water level indicator.

OPTIONS

ROPS (standard at CE), foldable ROPS, lights for road traffic, flashing beacon, battery isolating switch.

Your machine – working efficiently, secure and in good health

JCB LiveLink and Guardian are
the key to all three



As part of our dedication to looking at new, innovative ways to help you get the most out of your machine, our latest development is JCB LiveLink: an advanced machine monitoring system that enables you to better protect your investment and accurately monitor and improve machine performance.

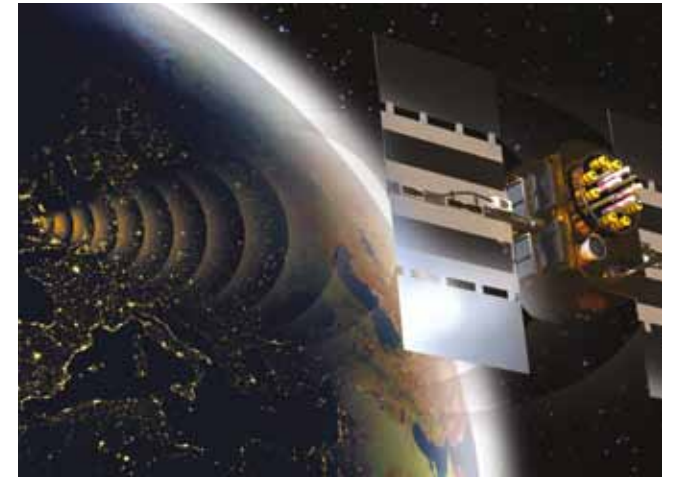
JCB LiveLink is a software system that enables JCB owners to monitor and manage their machines remotely. All you need is a PC connected to the internet. The LiveLink computer is built into the machine where it collects information from a number of sensors. This information is sent, using mobile communications technology, to JCB's secure data centre. Machine management information is then displayed to users via the LiveLink website, by email or via mobile phone.

By providing you with information on the usage and productivity of your fleet, JCB LiveLink enables you to keep track of each machine's efficiency, ensuring that you get the best value for money possible.

By providing information on the location, movement and activity of machines, the system can also assist in ensuring machines are operated at the correct times and helps to protect them from theft. And, JCB LiveLink helps machine owners to confirm that their machines are well maintained and in good health without having to travel around work sites inspecting machines.

In response to increasing concerns regarding machine security, we now also offer JCB Guardian as an option on every new JCB machine. JCB Guardian is a package of theft protection and monitoring systems that includes LiveLink telemetry along with *CESAR identification, immobiliser technology and a host of optional locks and guards. It's your peace of mind solution that can also result in considerable insurance premium savings.

**Territory specific*



JCB Assetcare

Flexible aftercare solutions

JCB Assetcare is a range of flexible service options designed to ensure you get the very highest standards of machine servicing, no matter what your budget. It guarantees you the optimum level of aftersales support, with highly skilled, factory-trained engineers using genuine JCB parts and lubricants to maintain maximum machine performance.

This allows your machine to be covered to maximise uptime and profitability throughout its operating life.

*“For complete peace of mind
and cost predictability
choose JCB Assetcare.”*

JCB Assetcare offers you the following options, which can be tailor-made to meet your specific requirements including excellence as standard:

For complete peace of mind and total budget predictability, your JCB dealer can offer a **Full Repair and Maintenance package**, with a fixed monthly sum covering all regular maintenance and necessary repairs including **Flexicare** for excavators and wheeled loading shovels, to give a pay by the hour alternative.

A **JCB Service Agreement** allows you to plan and manage your maintenance budget over a period of hours, or years of machine use, as determined by you. The price is maintained for the duration of the agreement and includes all parts, lubricants, labour and travel to maximise your machine performance.

JCB Sure Price Service (pay as you go) includes all genuine JCB lubricants, filters, greases and other parts and is carried out as you require it. The all-inclusive price also covers labour, 100 point check and any travel. Service intervals are hours based (usually every 500 hours) and no prior agreement is required; simply advise your dealer when the machine reaches the recommended service interval for great value for money.

JCB Machinery Protection Plan protects you against any unexpected failure for up to 2, 3, 4 or 5 years or up to 10,000 hours depending on machine type. You can take up a Machinery Protection Plan at any time during the first three months of ownership, and the package is transferable on the initial machine sale. Coverage options are 500, 1000, 1500 or 2000 hours per year (model dependent).

JCB Driveline Protection Plan – sign up to a Service Agreement on Backhoe or Loadall mechanical transmission machines and get FREE Driveline Protection for every 1,000 hours you commit to (covers Engine, Transmission and Axle).

For the full terms and conditions of the above programmes please speak to your local dealer.



A few words about JCB

A groundbreaking, world class family business with a commitment to supporting our customers and protecting the environment



A family company on a global scale. JCB is no ordinary company. From the dreams of one man, Joseph Cyril Bamford, we have grown into the world's largest privately owned construction equipment company. Since 1945, the same attention to detail, passion for progress and family spirit has taken us from strength to strength.

Nowadays JCB operates across five continents, manufacturing at 18 factories in the UK, Brazil, Germany, China, North America and India. With 1,500 dealer depots selling and supporting our products in over 150 countries, we are the global market leader for backhoe loaders and telescopic handlers.

A history of world-class innovation. Our business has always been driven by innovation, using only the most advanced technology, meticulous design, precision engineering and rigorous testing. Evidence of this commitment to innovation is illustrated in our revolutionary JCB Dieselmix engine. Having grabbed the headlines when it smashed the world diesel land speed record at 350.092mph, it is now providing our customers with tomorrow's performance today.

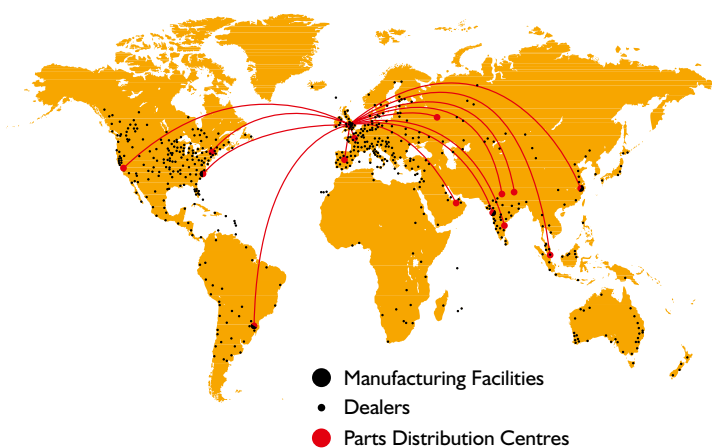


Doing things more efficiently, more sustainably. Since 2007 we have reduced our carbon emissions by 20%. We are continually working to further reduce the carbon footprint of our operations and, in partnership with our suppliers, our whole supply chain. We are also committed to designing our products to be sustainable during manufacturing, over the life of the machine and through end-of-life recycling. Our new Eco machines, for example, offer significant fuel and carbon savings; an average of 16% on the Eco backhoes and 22% on the 8085 Eco.



The best back-up in the business

Whether we're providing you with support, parts or finance, we aim for 100% satisfaction. It's all part of our promise to put you, the customer, first



Wherever you are, we are. Our mission to provide world-class support and deliver 100% satisfaction reaches into more than 1,500 dealer depots, spanning 150 countries across five continents. The aim? To bring you global expertise at a local level. We truly believe no other manufacturer does more to understand the subtle differences between one region of the world and another. It's a degree of attention that we maintain at every level of the company and an assurance to our customers that wherever they are in the world, JCB will fulfil their needs.

Trust the genuine article. At the heart of the support network is our impressive World Parts Centre, a state-of-the-art facility operating 24/7 to dispatch more than a million genuine parts and attachments every week to our dealers and international distribution centres. Because we understand the need to minimise downtime, we utilise the latest logistics and warehouse management systems and have committed to an 'Anywhere in 24 hours' strategy.

Keeping you up and running. Just as important as genuine JCB parts are the people who fit and maintain them. Our JCB-trained technicians in all of those 1,500-plus dealer depots provide excellent, expert customer care, whether it's routine servicing or something more urgent. If there is an emergency breakdown situation, we need to act fast. This is why all our dealers operate their own fleets of support vehicles, enabling parts to be delivered quickly and fitted expertly, and fulfilling our promise to keep our customers working.

Maximising earning potential. We grow as our customers grow. That's why, at JCB, we are committed to offering expert financial advice and support to help customers maximise their earning potential.

Finance options* are available for new and used machinery, all part of our dedication to helping customers preserve their working capital while spreading costs in the most effective and tax-efficient way.

And as well as financial help, we are also happy to offer JCB Insurance.* We specialise in construction and industrial insurance and in offering Insurance Premium Finance facilities.

** Please check individual countries for available services.*





JCB Vibromax GmbH
Schäferberg 1
06466 Gatersleben, Germany
Tel: +49 (0) 39482 -700
Fax: +49 (0) 39482 -70102

JCB Vibromax GmbH
Graf-Zeppelin-Str, 8
51157 Köln, Germany
Tel: +49 (0) 2203 9253-0
Fax: +49 (0) 2203-9253-270

www.jcbvibromax.de

JCB reserves the right to change specification without notice. Some machines shown within this brochure are fitted with optional equipment which may vary between territories. The JCB logo is a registered trademark of J.C. Bamford Excavators Ltd. Printed in the UK on paper made from sustainable forests. The pulp used in the manufacture of this paper is made from renewable timber produced on a fully sustainable basis, and is bleached without the use of chlorine gas (ECF – Elemental Chlorine Free). This paper is suitable for recycling.

